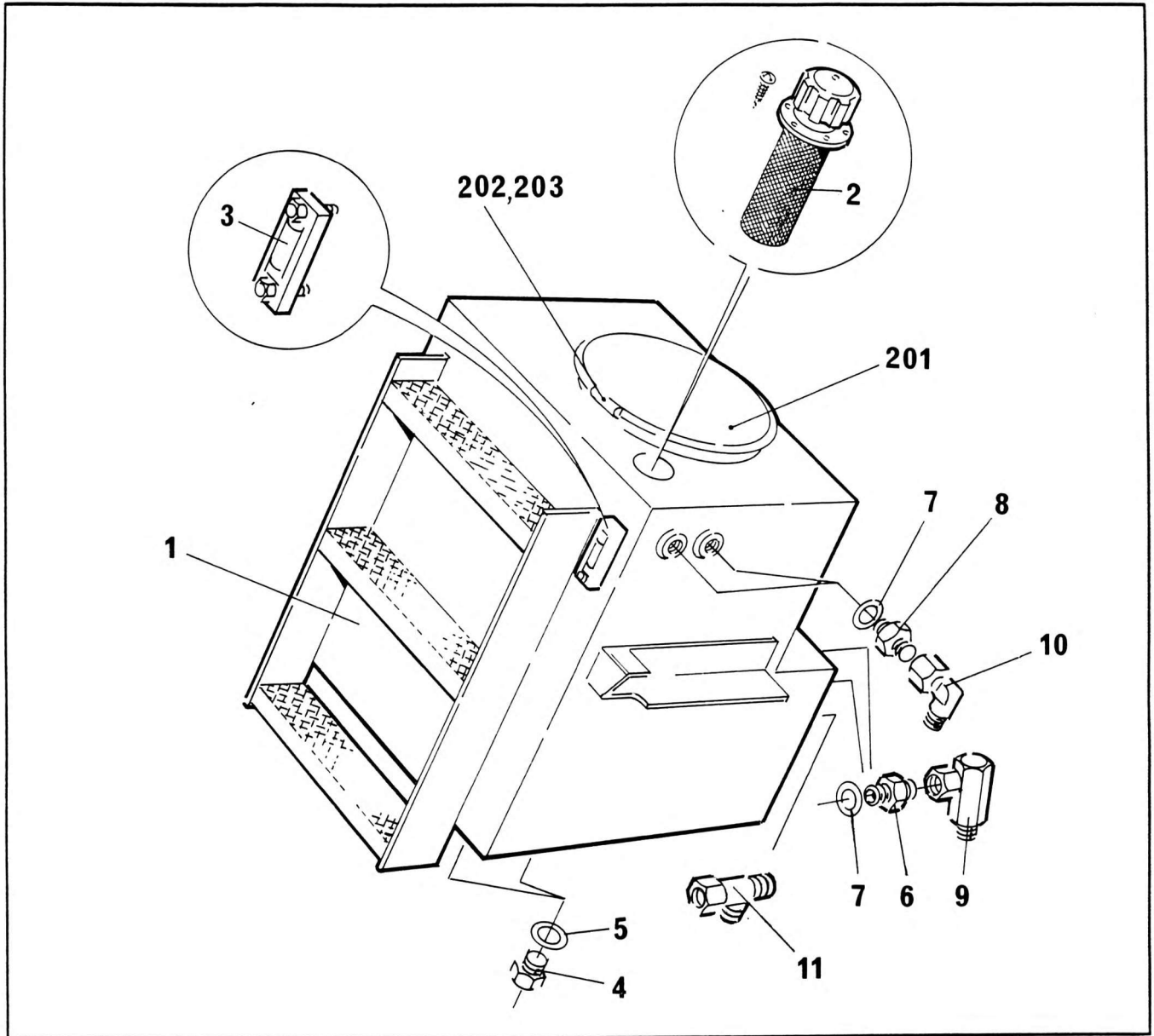


HYDRAULIC OIL TANK ASSY CHASSIS



NO.	PART NO.	QTY.	DESCRIPTION	NO.	PART NO.	QTY.	DESCRIPTION
1	6-880-990286	1	Hydraulic Oil Tank Assy Incl. Item 101				
2	7-258-990108	1	Filler Cap Breather				
3	8865474	1	Gauge Level				
4	14094	2	Plug 1" BSP				
5	7355403	2	Bonded Seal 1" BSP				
6	7-443-990915	3	Adaptor $\frac{3}{4}$ " BSP/ORFS				
7	7355401	5	Bonded Seal $\frac{3}{4}$ " BSP				
8	7-443-991184	2	Adaptor $\frac{3}{4}$ " BSP/ $\frac{1}{2}$ " ORFS				
9	7-447-121233	2	90° Elbow				
10	7-447-080833	2	Female Flbow 90°				
11	7-447-121234	1	Tee Piece				
101	7-258-000409	1	Cover Assy Incl. Items 201-203				
201	9-437-100223	1	Cover				
202	9-437-100224	1	Seal				
203	9-437-100225	1	Clamp				

6-880-990285  
Issue No. 03